

GIZIN

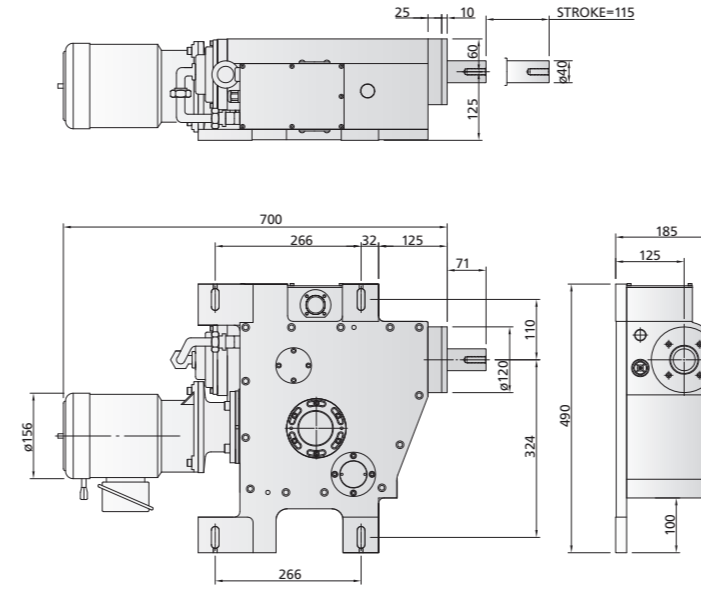
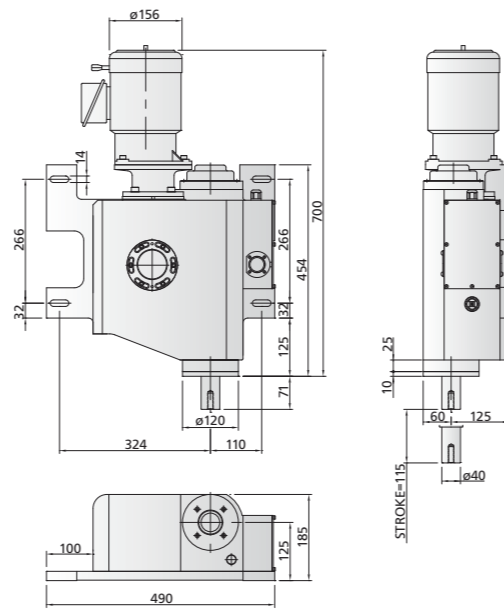
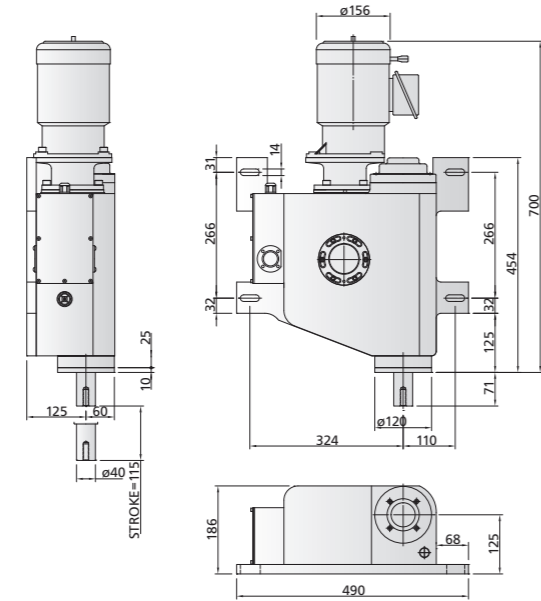
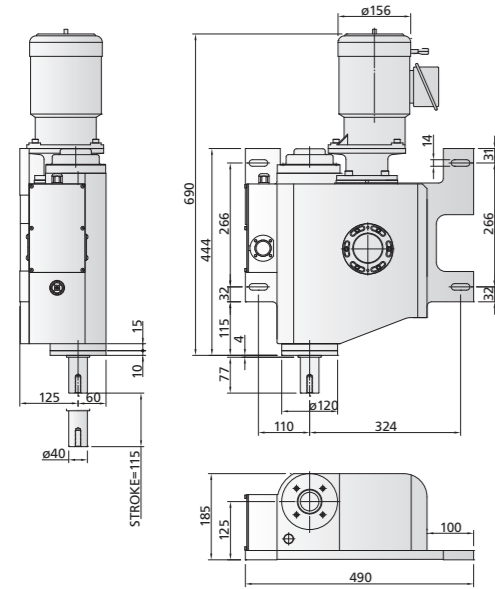
NO.486 , Minsheng Rd., Houli Dist., Taichung, Taiwan 421
TEL : 886-4-25582818 FAX : 886-4-25587995
[http : //www.gizin.com.tw](http://www.gizin.com.tw)
E-MAIL : info@gizin.com.tw

GIZIN



GENERAL CATALOG

#40 GE-40 Vertical CamBox



TYPE	AA01	
USE ON	#40 TAPER MACHINES (VERTICAL)	
ARM TRAVEL	115mm	
ARM LENGTH(RADIUS)	250mm	
MAX TOOL WEIGHT	8kgx2	
CYCLE TIME	50HZ	1.3~2.5 Sec
	60HZ	1.14~2 Sec
SWIVEL ANGLE	30°~120°	
DRIVE MOTOR	0.6KW	
SENSOR	3-PNP-NO	
LUBRICATION	OIL BATH	
NET WEIGHT	95kg	

TYPE	AB01	
USE ON	#40 TAPER MACHINES (VERTICAL)	
ARM TRAVEL	115mm	
ARM LENGTH(RADIUS)	250mm	
MAX TOOL WEIGHT	8kgx2	
CYCLE TIME	50HZ	1.3~2.5 Sec
	60HZ	1.14~2 Sec
SWIVEL ANGLE	60°~90°	
DRIVE MOTOR	0.6KW	
SENSOR	3-PNP-NO	
LUBRICATION	OIL BATH	
NET WEIGHT	95kg	

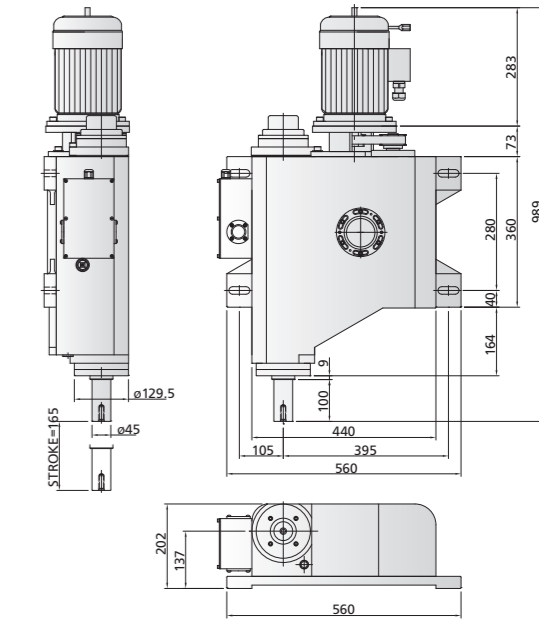
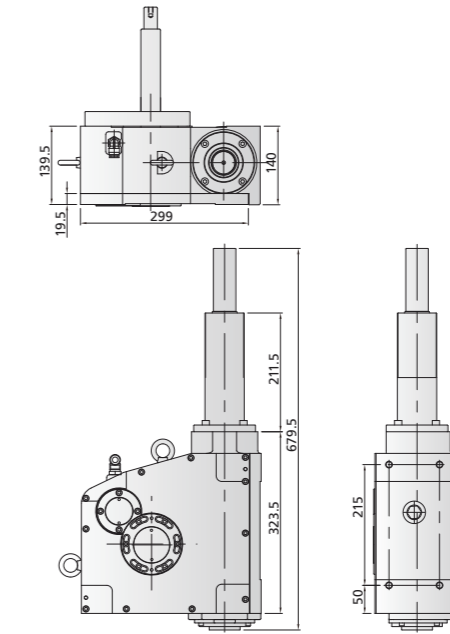
TYPE	AD01	
USE ON	#40 TAPER MACHINES (VERTICAL)	
ARM TRAVEL	115mm	
ARM LENGTH(RADIUS)	250mm	
MAX TOOL WEIGHT	8kgx2	
CYCLE TIME	50HZ	1.3~2.5 Sec
	60HZ	1.14~2 Sec
SWIVEL ANGLE	60°~90°	
DRIVE MOTOR	0.6KW	
SENSOR	3-PNP-NO	
LUBRICATION	OIL BATH	
NET WEIGHT	95kg	

TYPE	AC01	
USE ON	#40 TAPER MACHINES (HORIZONTAL)	
ARM TRAVEL	115mm	
ARM LENGTH(RADIUS)	250mm	
MAX TOOL WEIGHT	8kgx2	
CYCLE TIME	50HZ	1.3~2.5 Sec
	60HZ	1.14~2 Sec
SWIVEL ANGLE	60°~90°	
DRIVE MOTOR	0.6KW	
SENSOR	3-PNP-NO	
LUBRICATION	OIL BATH	
NET WEIGHT	95kg	

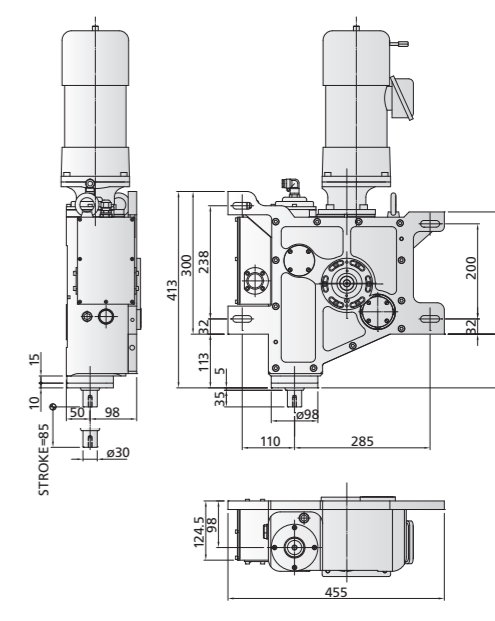
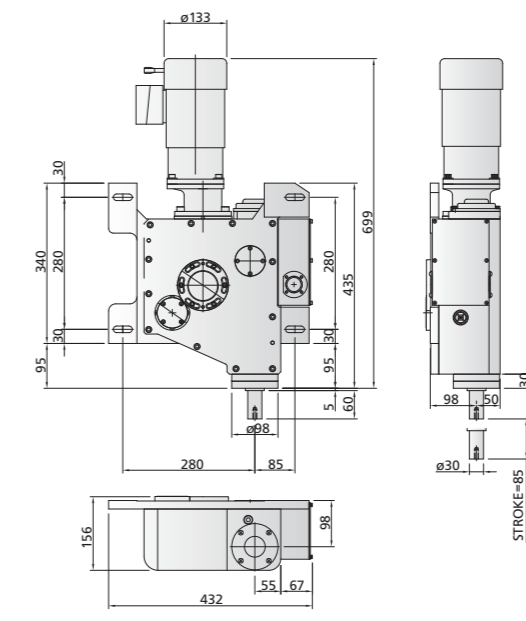
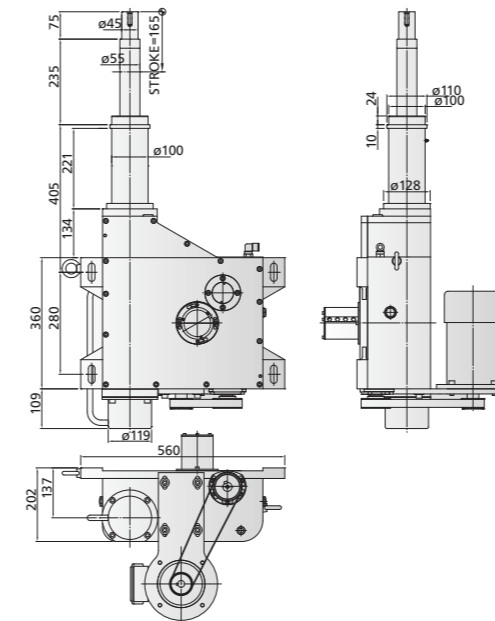
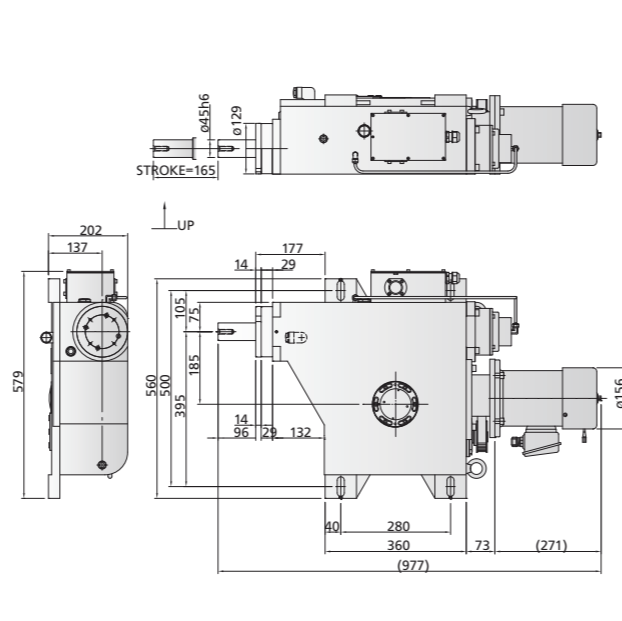
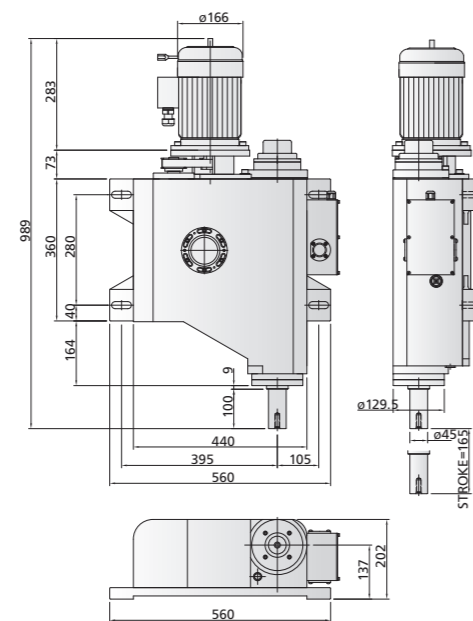
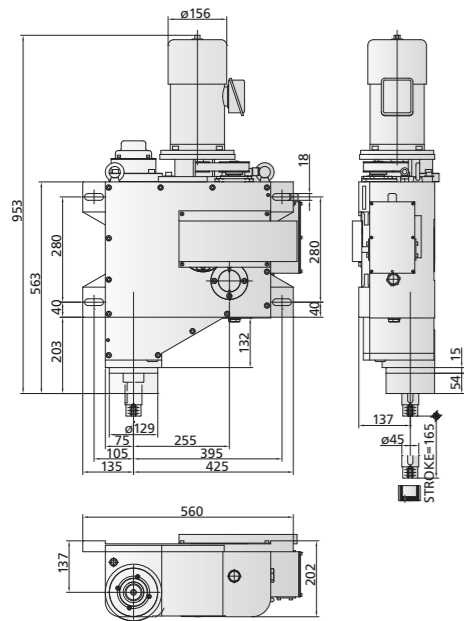
TYPE	AK01	
USE ON	#40 TAPER MACHINES (VERTICAL)	
ARM TRAVEL	95mm	
ARM LENGTH(RADIUS)	140~180mm	
MAX TOOL WEIGHT	8kgx2	
CYCLE TIME	0.56 Sec	
SWIVEL ANGLE	60°~90°	
DRIVE MOTOR	0.75KW	
SENSOR	1-PNP-NO	
LUBRICATION	OIL BATH	
NET WEIGHT	60kg	

TYPE	BA01	
USE ON	#50 TAPER MACHINES (VERTICAL)	
ARM TRAVEL	165mm	
ARM LENGTH(RADIUS)	300mm	
MAX TOOL WEIGHT	15kgx2	
CYCLE TIME	50HZ	2.5 Sec
	60HZ	2.1 Sec
SWIVEL ANGLE	60°~90°	
DRIVE MOTOR	1.1KW	
SENSOR	3-PNP-NO	
LUBRICATION	OIL BATH	
NET WEIGHT	145kg	

#50 GE-50 Vertical CamBox



#50 GE-50 Vertical CamBox



TYPE	BB01
USE ON	#50 TAPER MACHINES (VERTICAL)
ARM TRAVEL	165mm
ARM LENGTH(RADIUS)	300mm
MAX TOOL WEIGHT	15kgx2
CYCLE TIME	50HZ 2.5 Sec 60HZ 2.1 Sec
SWIVEL ANGLE	60°~90°
DRIVE MOTOR	1.1KW
SENSOR	3-PNP-NO
LUBRICATION	OIL BATH
NET WEIGHT	145kg

TYPE	BD01
USE ON	#50 TAPER MACHINES (VERTICAL)
ARM TRAVEL	165mm
ARM LENGTH(RADIUS)	300mm
MAX TOOL WEIGHT	15kgx2
CYCLE TIME	50HZ 2.5 Sec 60HZ 2.1 Sec
SWIVEL ANGLE	60°~90°
DRIVE MOTOR	1.1KW
SENSOR	3-PNP-NO
LUBRICATION	OIL BATH
NET WEIGHT	145kg

TYPE	BC01
USE ON	#50 TAPER MACHINES (HORIZONTAL)
ARM TRAVEL	165mm
ARM LENGTH(RADIUS)	300mm
MAX TOOL WEIGHT	15kgx2
CYCLE TIME	50HZ 2.5 Sec 60HZ 2.1 Sec
SWIVEL ANGLE	60°~90°
DRIVE MOTOR	1.1KW
SENSOR	3-PNP-NO
LUBRICATION	OIL BATH
NET WEIGHT	145kg

TYPE	BE01
USE ON	#50 TAPER MACHINES (VERTICAL)
ARM TRAVEL	165mm
ARM LENGTH(RADIUS)	250~300mm
MAX TOOL WEIGHT	15kgx2
CYCLE TIME	50HZ 2.5 Sec 60HZ 2.1 Sec
SWIVEL ANGLE	60°~90°
DRIVE MOTOR	1.1KW
SENSOR	3-PNP-NO
LUBRICATION	OIL BATH
NET WEIGHT	150kg

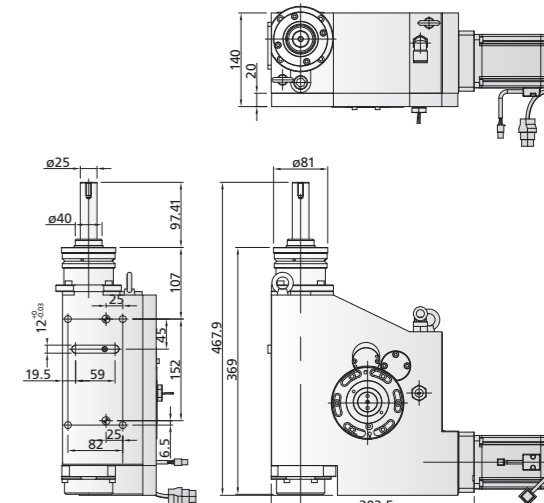
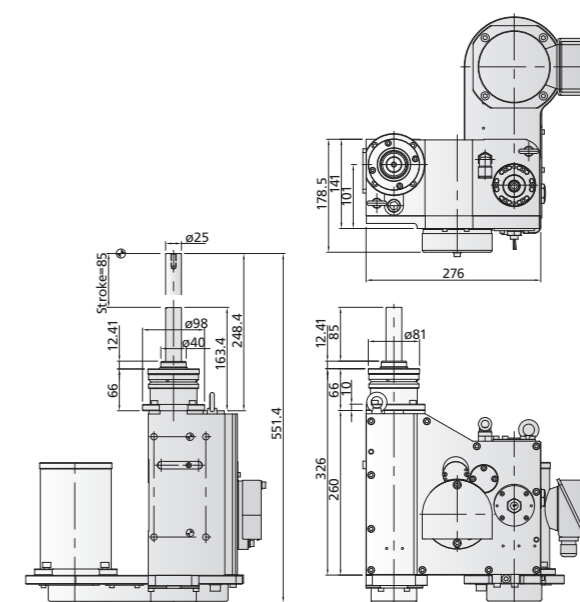
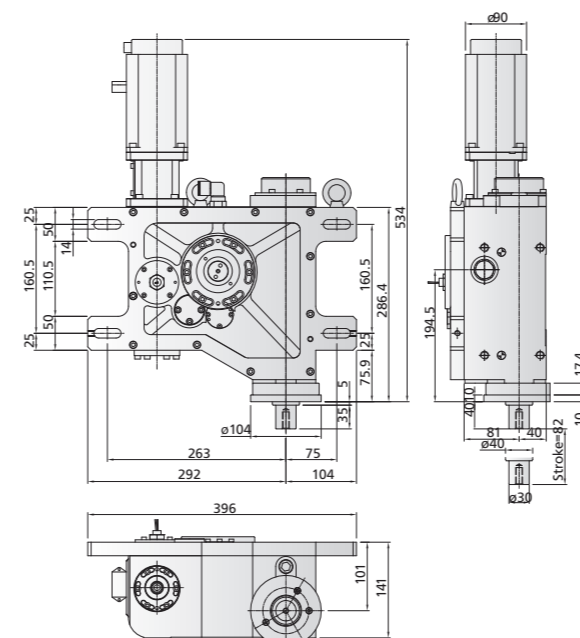
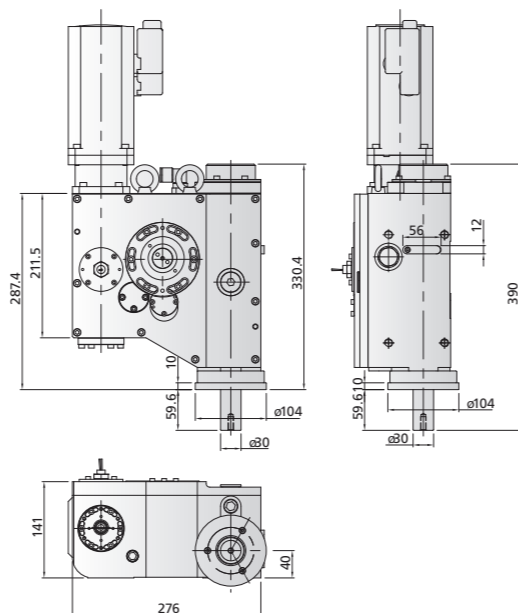
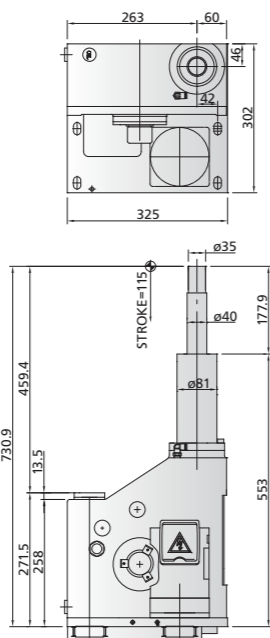
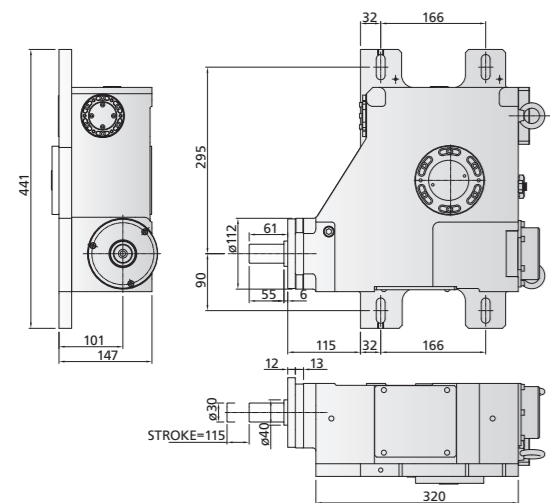
TYPE	CA01
USE ON	#30 TAPER MACHINES (VERTICAL)
ARM TRAVEL	85mm
ARM LENGTH(RADIUS)	200mm
MAX TOOL WEIGHT	3kgx2
CYCLE TIME	50HZ 1.0 Sec 60HZ 0.8 Sec
SWIVEL ANGLE	60°~90°
DRIVE MOTOR	0.3KW
SENSOR	3-PNP-NO
LUBRICATION	OIL BATH
NET WEIGHT	75kg

TYPE	CD01
USE ON	#30 TAPER MACHINES (VERTICAL)
ARM TRAVEL	85mm
ARM LENGTH(RADIUS)	180mm
MAX TOOL WEIGHT	3kgx2
CYCLE TIME	50HZ 0.8 Sec 60HZ 0.8 Sec
SWIVEL ANGLE	60°~90°
DRIVE MOTOR	0.3KW
SENSOR	3-PNP-NO
LUBRICATION	OIL BATH
NET WEIGHT	75kg

#30 GE-30 Vertical CamBox



Aluminum CamBox



TYPE	AC61
USE ON	#40 TAPER MACHINES (HORIZONTAL)
ARM TRAVEL	115mm
ARM LENGTH(RADIUS)	180~300mm
MAX TOOL WEIGHT	4~8kg
CYCLE TIME	0.8~1.4 Sec
SWIVEL ANGLE	60°~90°
DRIVE MOTOR	0.75KW
LUBRICATION	OIL BATH
NET WEIGHT	50kg

TYPE	AE61
USE ON	#40 TAPER MACHINES (VERTICAL)
ARM TRAVEL	115mm
ARM LENGTH(RADIUS)	150~300mm
MAX TOOL WEIGHT	4~8kg
CYCLE TIME	0.8~1.4 Sec
SWIVEL ANGLE	60°~90°
DRIVE MOTOR	0.4KW
SENSOR	ENCODER
LUBRICATION	OIL BATH
NET WEIGHT	58kg

TYPE	CA61
USE ON	#30 TAPER MACHINES (VERTICAL)
ARM TRAVEL	85mm
ARM LENGTH(RADIUS)	150~250mm
MAX TOOL WEIGHT	1~4kgx2
CYCLE TIME	0.6~2Sec
SWIVEL ANGLE	60°~90°
DRIVE MOTOR	0.75KW
LUBRICATION	OIL BATH
NET WEIGHT	40kg

TYPE	CA71
USE ON	#30 TAPER MACHINES (VERTICAL)
ARM TRAVEL	85mm
ARM LENGTH(RADIUS)	150~250mm
MAX TOOL WEIGHT	1~4kgx2
CYCLE TIME	0.6~2Sec
SWIVEL ANGLE	60°~90°
DRIVE MOTOR	0.75KW
LUBRICATION	OIL BATH
NET WEIGHT	40kg

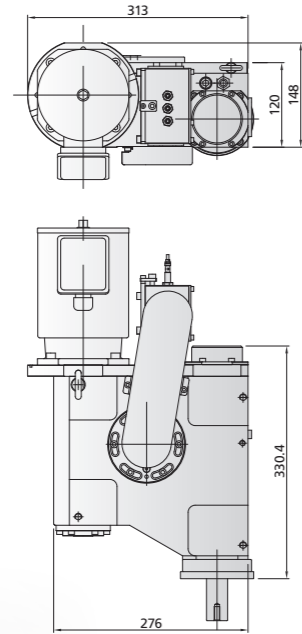
TYPE	CE61
USE ON	#30 TAPER MACHINES (VERTICAL)
ARM TRAVEL	85mm
ARM LENGTH(RADIUS)	150~250mm
MAX TOOL WEIGHT	1~4kgx2
CYCLE TIME	0.6~2Sec
SWIVEL ANGLE	60°~90°
DRIVE MOTOR	0.4KW
SENSOR	ENCODER
LUBRICATION	OIL BATH
NET WEIGHT	40kg

TYPE	CE62
USE ON	#30 TAPER MACHINES (VERTICAL)
ARM TRAVEL	85mm
ARM LENGTH(RADIUS)	150~250mm
MAX TOOL WEIGHT	1~4kgx2
CYCLE TIME	0.6~2Sec
SWIVEL ANGLE	60°~90°
DRIVE MOTOR	0.75KW
LUBRICATION	OIL BATH
NET WEIGHT	40kg

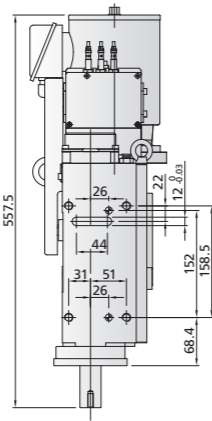


Features

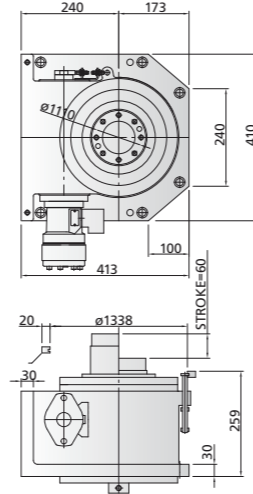
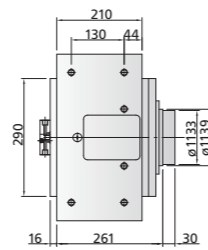
- ❖ Full servo ATC CAMBOX
- ❖ Horizontal ATC CAMBOX
- ❖ Vertical ATC CAMBOX
- ❖ Full servo APC table change CAMBOX
- ❖ OEM & ODM CAMBOX available



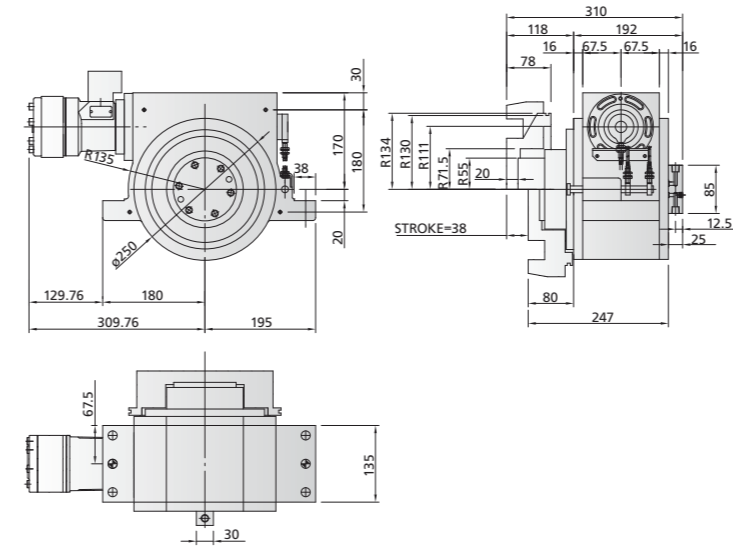
TYPE	CD61
USE ON	#30 TAPER MACHINES (VERTICAL)
ARM TRAVEL	85mm
ARM LENGTH(RADIUS)	150~250mm
MAX TOOL WEIGHT	1~4kgx2
CYCLE TIME	0.6~2 Sec
SWIVEL ANGLE	60°~90°
DRIVE MOTOR	0.55KW
SENSOR	3-PNP-NO
LUBRICATION	OIL BATH
NET WEIGHT	40kg



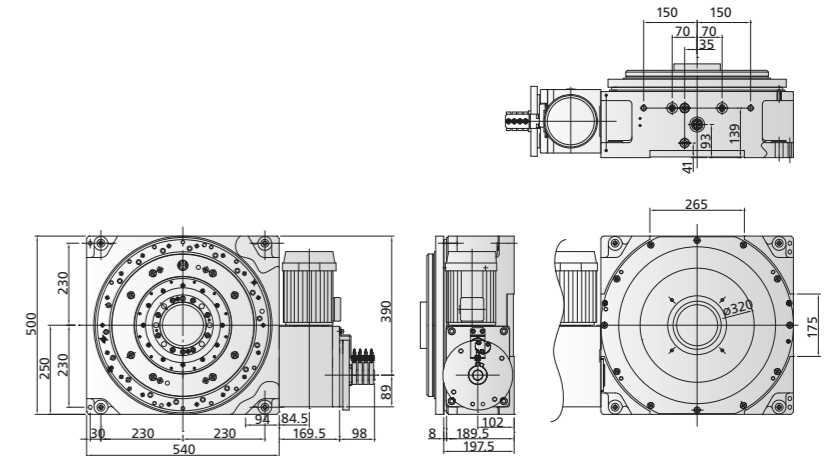
TYPE	HA02
USE ON	VERTICAL or HORIZONTAL MACHINES TABLE MOVE TYPE
TABLE LIFTER WEIGHT	300Kg
MAX TABLE LOAD	750Kgx2
MAX WORK SIZE(RADIUS)	ø900mm
MAX ROTATING CENTER(RADIUS)	500mm
UP DOWN STROKE	70mm
CYCLE TIME	10 Sec
ROTATING POWER	HYDRALIC MOTOR +CAM
UP DOWN POWER	SERVO CYLINDER
HYDRALIC SYSTEM	7MPa
SENSOR	PROX. SWITCHS
LUBRICATION	OIL BATH
NET WEIGHT	120kg



TYPE	HA01
USE ON	VERTICAL or HORIZONTAL MACHINES TABLE MOVE TYPE
TABLE LIFTER WEIGHT	200Kg
MAX TABLE LOAD	400Kgx2
MAX WORK SIZE(RADIUS)	ø600mm
MAX ROTATING CENTER(RADIUS)	400mm
UP DOWN STROKE	38mm
CYCLE TIME	6 Sec
ROTATING POWER	HYDRALIC MOTOR +CAM
UP DOWN POWER	SERVO CYLINDER
HYDRALIC SYSTEM	5MPa 20L/min
SENSOR	PROX. SWITCHS
LUBRICATION	OIL BATH
NET WEIGHT	60kg



TYPE	HB01
USE ON	VERTICAL or HORIZONTAL MACHINES TABLE FIX TYPE
TABLE SIZE	1000x600mm
TABLE WEIGHT	280Kg
MAX TABLE LOAD	200Kgx2
WORK CENTER DISTANCE(RADIUS)	325mm
MAX WORK SIZE	350x600mm
CYCLE TIME	3.2 Sec
DRIVE MOTOR	0.75KW
SENSOR	PROX. SWITCHS
LUBRICATION	OIL BATH
NET WEIGHT	272kg



GIZIN producing reliable, faster and durable ATC (automatic tool changer) and APC for CNC machine tool manufacturers. GIZIN had been devoted to develop full range ATC cambox for all kind of CNC machining center. Many overseas famous machine manufacturers choose our products.

GIZIN Not only successfully in mass production in order to fulfill the need in Japanese Market, but also the most speedy tool changing product so far. Working with lightweight aluminum

alloy arm and unique tool locking system, it can avoid the interfering from the holder to the spindle when changing in high speed, so as to maintain the precision and longer life of the spindle. Also to solve the dilemma of high speed machines can't use changing arm issue.

Sales and service department is our window to face worldwide clients to provide all information which they need. Quality, Price, Delivery & Service are core of this business. We always remember to achieve this 4 points while dealing with customers.

