

**WAXTRAIN**

Metal Sawing Technology

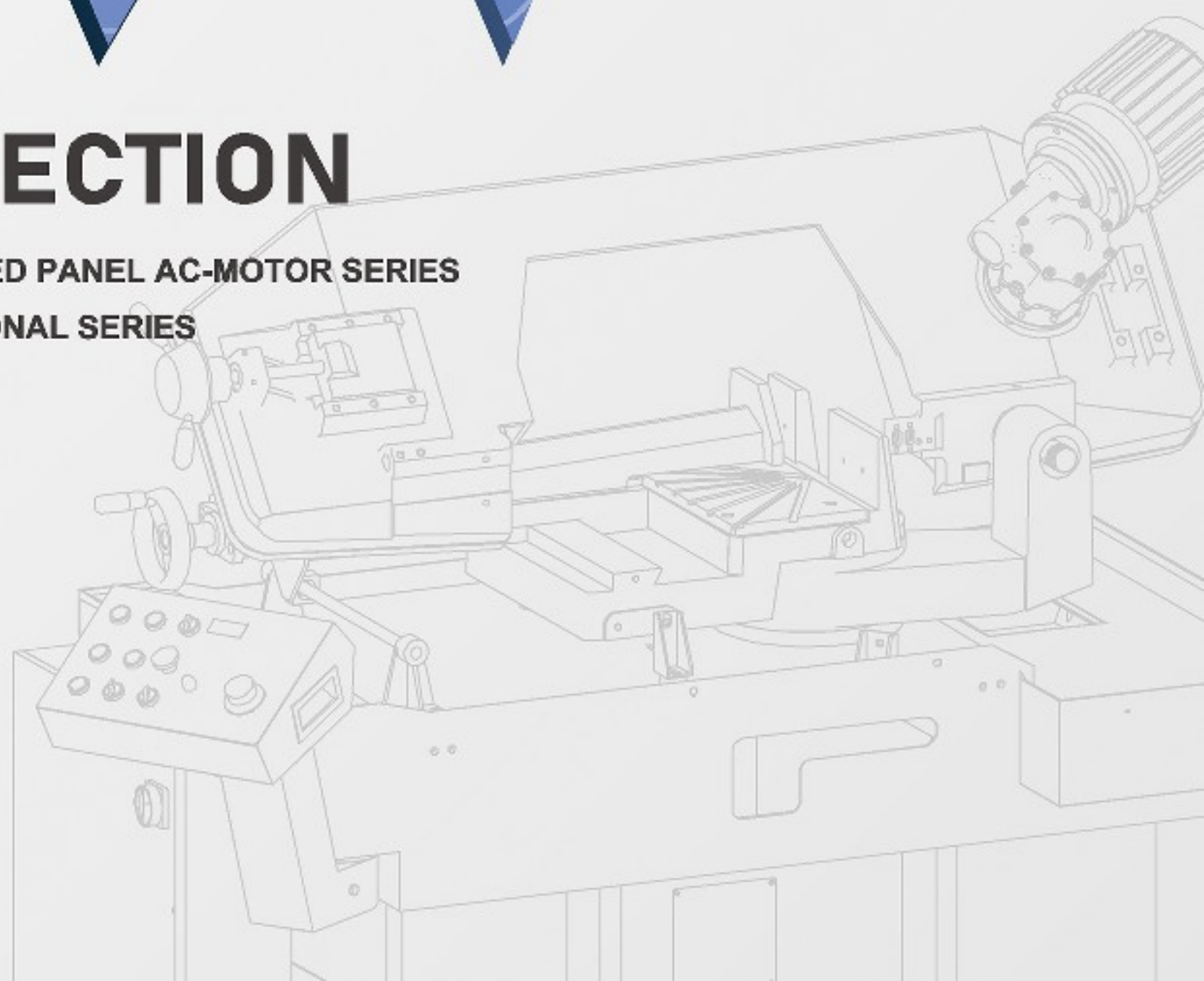


**SERIES**

# **COLLECTION**

**WG- INTEGRATED PANEL AC-MOTOR SERIES**

**WE- PROFESSIONAL SERIES**



# INTRODUCTION



WAY TRAIN INDUSTRIES was established in March, 1983. Our products include band saw, auto bandsaw, sawing machine, horizontal sawing, cutting sawing machine, cutting bandsaw, double column sawing machine, angle cutting machine and angle sawing machine. Occupying an impressive share of the global market, WAY TRAIN is the leading brand of band saws in Taiwan.

The driving forces behind WAY TRAIN are innovation and development. Since our establishment, we have been dedicated to responsibility, credibility, and efficiency as our guiding principles. The cornerstones of our success are the use of professional technology, excellent service, and innovative designs. These have helped us establish a global sales network and the support and trust of these customers have helped WAY TRAIN become a respected name within the industry.



## WG series



Model	Page
WG 500 DSA/DSAH	03
WG 350 DSA/DSAV	04
WG 310 DSA/DSAV	05
WG 285 DSA/DSAV	06
WG 275 SH	07
WG 210 SH	08

## WE series



WE 210 SH/SHV	09
WE 260 SH/SHV	10
WE 270 DS/DSV DSA/DSAV	11
WE 275 DS/DSV DSA/DSAV	12
WE 275 SH	13
WE 310 DS/DSV DSA/DSAV	14
WE 350 DS/DSV DSA/DSAV	15

## Accessories



Accessories	16
WE 31T1 31T2 31T2D	17
WE 33T1 33T2 33T2D	18



Telescopic Control Box  
(HMI Panel – WG-500DSAH)



Linear Bearing

## WG-500DSA/DSAH

### SEMI-AUTO

#### FEATURE

1. Double miter cutting (R60° / L45°) by manual.
2. The new design of telescopic control box can avoid the interference while the sliding vise base movement, and reduced volumetric efficiency.
3. WG-500DSA-series control panel is available in 2 types : HMI Panel / Push-Button Panel,  
WG-500DSAH : Human-Machine -interface control panel provides distinctive display and simple operation system for users, and build-in 6 error conditions where users can see problems or faults on screen.  
WG-500DSA : Standard push-button control panel.
4. The separation of down feed knob from control panel is easier to operate.
5. The linear bearing is used in the sliding vise base for move smoothly and operational method.
6. Sliding vise base can avoid the interference during the angle cutting.
7. Rack type quick action vise and hydraulic vise clamping.
8. Motor inverter controlled blade speed to provide a high efficiency and variable speed conversion.
9. Mobile coolant tray is convenient for catchment during the angle cutting.
10. Material feeler is used to detect cutting height automatically to reduce cutting cycle time.

#### SPECIFICATIONS

Capacity (HxW)	90°	○ 350 mm	□ 330 mm	□ 200 x 500 mm
	45°	○ 330 mm	□ 250 mm	□ 145 x 340 mm
	60°	○ 210 mm	□ 135 mm	□ 125 x 220 mm
	L45°	○ 290 mm	□ 230 mm	□ 60 x 345 mm
Blade Size	34 x 1.1 x 3880 mm			
Blade Speed	20 ~ 85 mpm			
Blade Motor	3 HP (2.2 kW)			
Hydraulic Motor	1 HP (0.75 kW)			
Coolant Motor	50 W			
Container Loads	6 units / 20' 12 units / 40'			
Packing Size	2240 x 930 x 1770 mm			
N.W./G.W.	677 kg / 757 kg			

Rack type quick  
action vise



Material feeler



\* The above package sizes are for reference only; actual packing size is based on the actual shipments conditions.

# HORIZONTAL BAND SAW



Swiveling Control Box (WG-350DSA)



Sliding Vise Base

## WG-350DSA/DSAV

SEMI-AUTO

### FEATURE

1. Double miter cutting (R60° / L45°) by manual.
2. The new design of swiveling control box can avoid the interference while the sliding vise base movement, and reduced volumetric efficiency.
3. Symbol-based control panel is easy to understand and to operate.
4. Sliding vise base can avoid the interference during the angle cutting.
5. Hydraulic vise clamping is labor-saving and easy to operate.
6. Motor inverter controlled blade speed to provide a high efficiency and variable speed conversion (WG-350DSA).
7. Mobile coolant tray is convenient for catchment during the angle cutting.
8. Human-Machine-Interface control panel (optional).

### SPECIFICATIONS

Capacity (HxW)	90°	○ 270 mm	□ 270 mm	▭ 260 x 350 mm
	45°	○ 230 mm	□ 180 mm	▭ 95 x 240 mm
	60°	○ 135 mm	□ 90 mm	▭ 90 x 135 mm
	L45°	○ 210 mm	□ 170 mm	▭ 70 x 245 mm
Blade Size	27 x 0.9 x 3160 mm			
Blade Speed	2 Speeds (DSA)	50HZ 4P 72 m/min 8P 36 m/min		
	Inverter (DSAV)	20 ~ 85 mpm		
Blade Motor	2 HP (1.5 kW)			
Hydraulic Motor	1 / 2 HP (0.38 kW)			
Coolant Motor	50 W			
Container Loads	7 units / 20' 14 units / 40'			
Packing Size	2045 x 815 x 1690 mm			
N.W./G.W.	450 kg / 506 kg			

\* The above package sizes are for reference only; actual packing size is based on the actual shipments conditions.



Blade Tension Indicator Gauge

WG series

WE series

Accessories



Swiveling Control Box (WG-310DSA/DSAV)



Sliding Vise Base

## WG-310DSA/DSAV

**SEMI-AUTO**

### FEATURE

1. Double miter cutting (R60° / L45°) by manual.
2. The new design of swiveling control box can avoid the interference while the sliding vise base movement, and reduced volumetric efficiency.
3. Symbol-based control panel is easy to understand and to operate.
4. Sliding vise base can avoid the interference during the angle cutting.
5. Hydraulic vise clamping is labor-saving and easy to operate.
6. Motor inverter controlled blade speed to provide a high efficiency and variable speed conversion (WG-310DSA/DSAV).
7. Mobile coolant tray is convenient for catchment during the angle cutting.

### SPECIFICATIONS

Capacity (HxW)	90°	○ 240 mm	□ 235 mm	□ 165 x 310 mm
	45°	○ 195 mm	□ 185 mm	□ 130 x 195 mm
	60°	○ 120 mm	□ 85 mm	□ 90 x 120 mm
	L45°	○ 165 mm	□ 140 mm	□ 60 x 195 mm
Blade Size	27 x 0.9 x 2725 mm			
Blade Speed	2 Speeds (DSA)	50HZ 4P 72 m/min 8P 36 m/min		
	Inverter (DSAV)	20 ~ 85 rpm		
Blade Motor	1.5 HP (1.1 kW)			
Hydraulic Motor	1 / 2 HP (0.38 kW)			
Coolant Motor	32 W			
Container Loads	9 units / 20' 18 units / 40'			
Packing Size	1835 x 775 x 1650 mm			
N.W./G.W.	310 kg / 360 kg			

\* The above package sizes are for reference only; actual packing size is based on the actual shipments conditions.

# HORIZONTAL BAND SAW



Swiveling Control Box (WG-285DSAV)



Dovetail Working Table

## WG-285DSA/DSAV

SEMI-AUTO

### FEATURE

1. Double miter cutting (R60° / L45°) by manual.
2. The new design of swiveling control box can avoid the interference while the sliding vise base movement, and reduced volumetric efficiency.
3. Symbol-based control panel is easy to understand and to operate.
4. Sliding vise base can avoid the interference during the angle cutting.
5. The special design of dovetail working table is smooth movement for sliding vise base.
6. Hydraulic vise clamping is labor-saving and easy to operate.
7. Aluminum gear reducer has a hands-down advantage as a heat conductor.
8. Mobile coolant tray is convenient for catchment during the angle cutting.
9. Motor inverter controlled blade speed (WG-285DSAV).

### SPECIFICATIONS

Capacity (HxW)	90°	○ 250 mm	□ 250 mm	▭ 240 x 285 mm
	45°	○ 190 mm	□ 180 mm	▭ 140 x 190 mm
	60°	○ 120 mm	□ 100 mm	▭ 100 x 120 mm
	L45°	○ 180 mm	□ 150 mm	▭ 50 x 200 mm
Blade Size	27 x 0.9 x 2685 mm			
Blade Speed	2 Speeds (DSA)	50HZ 4P 72 m/min 8P 36 m/min		
	Inverter (DSAV)	20 ~ 85 mpm		
Blade Motor	1.5 HP (1.1 kW)			
Hydraulic Motor	1 / 2 HP (0.38 kW)			
Coolant Motor	32 W			
Container Loads	9 units / 20' 18 units / 40'			
Packing Size	1835 x 775 x 1650 mm			
N.W./G.W.	310 kg / 360 kg			

Aluminum Gear Reducer



\* The above package sizes are for reference only; actual packing size is based on the actual shipments conditions.

WG series

WE series

Accessories



## WG-275SH

### MANUAL

1. Easily operating control panel.
2. Miter cutting  $0^{\circ} \sim 60^{\circ}$  angle cuts.
3. Two blade speeds selection.
4. Vise quickly lock lever.
5. Manual Trigger Switch or Auto-Cutting.
6. Hydraulic down feed controlling.

### SPECIFICATIONS

Capacity (HxW)	90°	○ 215 mm	□ 190 mm	□ 140 x 240 mm
	45°	○ 150 mm	□ 150 mm	□ 150 x 150 mm
	60°	○ 70 mm	□ 70 mm	□ 70 x 70 mm
Blade Size	27 x 0.9 x 2460 mm			
Blade Speed	50HZ 4P 72 m/min 8P 36 m/min			
Blade Motor	1.5 HP (1.1 kW)			
Coolant Motor	32W			
Container Loads	22 units / 20' 44 units / 40'			
Packing Size	1505 x 685 x 955 mm			
N.W. / G.W.	195 kg / 222 kg			

\* The above package sizes are for reference only; actual packing size is based on the actual shipments conditions.

# HORIZONTAL BAND SAW



## WG-210SH

### MANUAL

1. Miter Capability Right 0° to 60°.
2. Easily operating control panel.
3. Manual Trigger Switch or Auto-Cutting.
4. Quickly clamping by lever.
5. Hydraulic Feed Control Cutting.

### SPECIFICATIONS

Capacity (HxW)	90°	○ 170 mm	□ 170 mm	▭ 100 x 210 mm
	45°	○ 120 mm	□ 110 mm	▭ 60 x 130 mm
	60°	○ 70 mm	□ 60 mm	▭ 65 x 70 mm
Blade Size	20 x 0.9 x 2110 mm			
Blade Speed	50HZ 4P 80 m/min 8P 40 m/min (AC)			
Blade Motor	1 HP (0.75 kW)			
Coolant Motor	32W			
Container Loads	28 units / 20' 56 units / 40'			
Packing Size	1150 x 600 x 910 mm			
N.W. / G.W.	150 kg / 170 kg			

\* The above package sizes are for reference only; actual packing size is based on the actual shipments conditions.

WG series

WE series

Accessories



**WE-210SH**  
Electronic Operation  
Control Panel  
Symbolic-based design



**WE-210SHV**  
Blade speed readout  
Blade speed control by  
the inverter.

## WE-210 SH/SHV

### MANUAL

● : Standard    ◎ : Optional    — : Unable to Install

Operation	Manual	
	WE-210 SH	WE-210 SHV
Inverter Speed Control	—	●
0° ~60° angle cutting	●	●
Two Blade Speed Switch	●	—
Quickly Lock Lever	●	●
Hydraulic Cylinder for Downfeed	●	●
Manual Trigger Switch or Auto-Cutting	●	●
Blade Tension Indicator	◎	◎

### SPECIFICATIONS

Capacity (HxW)	90°	○ 170 mm	□ 170 mm	□ 100 x 210 mm
	45°	○ 120 mm	□ 110 mm	□ 60 x 130 mm
	60°	○ 70 mm	□ 60 mm	□ 65 x 70 mm
Blade Size	20 x 0.9 x 2110 mm			
Blade Speed	2 Speeds	50HZ 4P 80 m/min 8P 40 m/min		
	Inverter	20 ~ 85 mpm		
Blade Motor	1 HP (0.75 kW)			
Coolant Motor	32W			
Container Loads	40 units / 20' 84 units / 40'			
Packing Size	1150 x 570 x 890 mm			
N.W./G.W.	156 kg / 170 kg			

\* The above package sizes are for reference only; actual packing size is based on the actual shipments conditions.

# HORIZONTAL BAND SAW



**WE-260SH**  
 Eletronic Operation  
 Control Panel  
 Symbolic-based design  
 Two Speed Switch.



**WE-260SHV**  
 Blade speed readout  
 Variable speed control  
 by the inverter.

## WE-260 SH/SHV

MANUAL

● : Standard    ◎ : Optional    --- : Unable to Install

Operation	Manual	
	WE-260 SH	WE-260 SHV
Inverter Speed Control (SHV)	---	●
0° ~60° angle cutting	●	●
Two Blade Speed Switch	●	---
Manual Clamping Vise	●	●
Downfeed Hydraulic Cylinder	●	●
Manual Trigger Switch or Auto-Cutting	●	●
Blade Tension Indicator	◎	◎

### SPECIFICATIONS

Capacity (HxW)	90°	○ 220 mm    □ 215 mm    □ 110 x 260 mm
	45°	○ 150 mm    □ 145 mm    □ 110 x 155 mm
	60°	○ 90 mm    □ 85 mm    □ 80 x 95 mm
Blade Size	27 x 0.9 x 2460 mm	
Blade Speed	2 Speeds	50HZ 4P 72 m/min    8P 36 m/min
	Inverter	20 ~ 85 mpm
Blade Motor	1.5 HP (1.1 kW)	
Coolant Motor	32W	
Container Loads	22 units / 20'    46 units / 40'	
Packing Size	1550 x 745 x 950 mm	
N.W./G.W.	216 kg / 250 kg	

\* The above package sizes are for reference only; actual packing size is based on the actual shipments conditions.

WG series

WE series

Accessories

# WE series



## WE-270 DS/DSV

**MANUAL**



## WE-270 DSA/DSAV

**SEMI-AUTO**

● : Standard    ◎ : Optional    --- : Unable to Install

Operation	Manual		Semi-Auto	
	WE-270 DS	WE-270 DSV	WE-270 DSA	WE-270 DSAV
Model	WE-270 DS	WE-270 DSV	WE-270 DSA	WE-270 DSAV
Inverter Speed Control (DSV/DSAV)	---	●	---	●
Blade Broken Detection	●	●	●	●
Dual Angle Cutting 60° (R) ~ 45° (L)	●	●	●	●
Two Blade Speed Switch	●	---	●	---
Downfeed Hydraulic Control	●	●	●	●
Manual Vise Clamping (DS/DSV)	●	●	---	---
Manual Trigger Switch or Auto-Cutting	●	●	---	---
Hydraulic Vise Clamping (DSA/DSAV)	---	---	●	●
Semi-Auto Type (DSA/DSAV)	---	---	●	●
Blade Tension Indicator	●	●	●	●

### SPECIFICATIONS

Capacity (HxW)	90°	○ 220 mm	□ 215 mm	▭ 105 x 260 mm
	45°	○ 150 mm	□ 145 mm	▭ 70 x 155 mm
	60°	○ 90 mm	□ 85 mm	▭ 85 x 90 mm
	L45°	○ 135 mm	□ 110 mm	▭ 45 x 160 mm
Blade Size	27 x 0.9 x 2460 mm			
Blade Speed	2 Speeds	50HZ 4P 72 m/min 8P 36 m/min		
	Inverter	20 ~ 85 mpm		
Blade Motor	1.5 HP (1.1 kW)			
Hydraulic / Coolant Motor	1 / 2 HP (0.38 kW) / 50W			
Container Loads	10 units / 20' 20 units / 40'			
Packing Size	1550 x 745 x 1055 mm (DS/DSV)			
	1550 x 745 x 1575 mm (DSA/DSAV)			
N.W./G.W.	280 kg / 330 kg			

\* The above package sizes are for reference only; actual packing size is based on the actual shipments conditions.



Variable speed with inverter.



ELECTRONIC OPERATION CONTROL PANEL  
With lights for indicating or trouble-shooting problems.

# HORIZONTAL BAND SAW



**WE-275 DS/DSV**

MANUAL



**WE-275 DSA/DSAV**

SEMI-AUTO

● : Standard    ◎ : Optional    --- : Unable to Install

Operation	Manual		Semi-Auto	
	WE-275 DS	WE-275 DSV	WE-275 DSA	WE-275 DSAV
Inverter Speed Control (DSV/DSAV)	---	●	---	●
Blade Broken Detection	●	●	●	●
Dual Angle Cutting 60° (R) ~ 45°(L)	●	●	●	●
Two Blade Speed Switch	●	---	●	---
Downfeed Hydraulic Control	●	●	●	●
Manual Vise Clamping (DS/DSV)	●	●	---	---
Manual Trigger Switch or Auto-Cutting	●	●	---	---
Hydraulic Vise Clamping (DSA/DSAV)	---	---	●	●
Semi-Auto Type (DSA/DSAV)	---	---	●	●
Blade Tension Indicator	●	●	●	●

## SPECIFICATIONS

Capacity (HxW)	90°	○ 220 mm    □ 215 mm    ▭ 105 x 260 mm
	45°	○ 150 mm    □ 145 mm    ▭ 70 x 155 mm
	60°	○ 90 mm    □ 85 mm    ▭ 85 x 90 mm
	L45°	○ 135 mm    □ 110 mm    ▭ 45 x 160 mm
Blade Size	27 x 0.9 x 2725 mm	
Blade Speed	2 Speeds	50HZ 4P 72 m/min    8P 36 m/min
	Inverter	20 ~ 85 rpm
Blade Motor	1.5 HP (1.1 kW)	
Hydraulic / Coolant Motor	1 / 2 HP (0.38 kW) / 32W	
Container Loads	10 units / 20'    20 units / 40'	
Packing Size	1550 x 750 x 1055 mm (DS/DSV)	
	1550 x 750 x 1600 mm (DSA/DSAV)	
N.W./G.W.	278 kg / 310 kg	

\* The above package sizes are for reference only; actual packing size is based on the actual shipments conditions.



Blade Tension Indicator Gauge

WG series

WE series

Accessories



## WE-275 SH (AC MOTOR) WDE-275 SH (DC MOTOR)

### MANUAL

● : Standard    ◎ : Optional    — : Unable to Install

Operation	Manual	
	WE-275SH	WDE-275SH
Model	WE-275SH	WDE-275SH
DC Motor Variable Speed	—	●
Angle Cutting 0° ~ 60°	●	●
Plastic Control Panel	●	●
Manual Trigger Switch or Auto-Cutting	●	●
Hydraulic Control Down Feed	●	●

### SPECIFICATIONS

Capacity (HxW)	90°	○ 215 mm	□ 190 mm	▭ 140 x 240 mm
	45°	○ 150 mm	□ 150 mm	▭ 150 x 150 mm
	60°	○ 70 mm	□ 70 mm	▭ 70 x 70 mm
Blade Size	27 x 0.9 x 2460 mm			
Blade Speed	2 Speeds	50HZ 4P 72 m/min		8P 36 m/min
Blade Motor	1.5 HP (1.1 kW)			
Coolant Motor	32W			
Container Loads	22 units / 20' 44 units / 40'			
Packing Size	1675 x 650 x 1030 mm			
N.W./G.W.	195 kg / 222 kg			

\* The above package sizes are for reference only; actual packing size is based on the actual shipments conditions.

# HORIZONTAL BAND SAW



**WE-310 DS/DSV**

MANUAL



**WE-310 DSA/DSAV**

SEMI-AUTO

● : Standard    ⊙ : Optional    --- : Unable to Install

Operation	Manual		Semi-Auto	
	WE-310 DS	WE-310 DSV	WE-310 DSA	WE-310 DSAV
Inverter Speed Control (DSV/DSAV)	---	●	---	●
Blade Broken Detection	●	●	●	●
Dual Angle Cutting 60° (R) ~ 45°(L)	●	●	●	●
Two Blade Speed Switch	●	---	●	---
Downfeed Hydraulic Control	●	●	●	●
Manual Vise Clamping (DS/DSV)	●	●	---	---
Manual Trigger Switch or Auto-Cutting	●	●	---	---
Hydraulic Vise Clamping (DSA/DSAV)	---	---	●	●
Semi-Auto Type (DSA/DSAV)	---	---	●	●
Blade Tension Indicator	●	●	●	●

## SPECIFICATIONS

Capacity (HxW)	90°	○ 240 mm    □ 235 mm    □ 165 x 310 mm
	45°	○ 195 mm    □ 185 mm    □ 130 x 195 mm
	60°	○ 120 mm    □ 85 mm    □ 90 x 120 mm
	L45°	○ 165 mm    □ 140 mm    □ 60 x 195 mm
Blade Size	27 x 0.9 x 2725 mm	
Blade Speed	2 Speeds	50HZ 4P 72 m/min    8P 36 m/min
	Inverter	20 ~ 85 mpm
Blade Motor	1.5 HP (1.1 kW)	
Hydraulic / Coolant Motor	1 / 2 HP (0.38 kW) / 50W	
Container Loads	20 units / 20'    40 units / 40'	
Packing Size	1675 x 750 x 1055 mm (DS/DSV)	
	1675 x 750 x 1640 mm (DSA/DSAV)	
N.W./G.W.	310 kg / 360 kg	

\* The above package sizes are for reference only; actual packing size is based on the actual shipments conditions.



**ELECTRONIC OPERATION CONTROL PANEL**  
With lights for indicating or trouble-shooting problems.

WG series

WE series

Accessories

# WE series



## WE-350 DS/DSV

MANUAL



## WE-350 DSA/DSAV

SEMI-AUTO

● : Standard    ◎ : Optional    --- : Unable to Install

Operation	Manual		Semi-Auto	
	WE-350 DS	WE-350 DSV	WE-350 DSA	WE-350 DSAV
Inverter Speed Control (DSV/DSAV)	---	●	---	●
Blade Broken Detection	●	●	●	●
Dual Angle Cutting 60° (R) ~ 45°(L)	●	●	●	●
Two Blade Speed Switch	●	---	●	---
Downfeed Hydraulic Control	●	●	●	●
Manual Vise Clamping (DS/DSV)	●	●	---	---
Manual Trigger Switch or Auto-Cutting	●	●	---	---
Hydraulic Vise Clamping (DSA/DSAV)	---	---	●	●
Semi-Auto Type (DSA/DSAV)	---	---	●	●
Blade Tension Indicator	●	●	●	●

### SPECIFICATIONS

Capacity (HxW)	90°	○ 260 mm	□ 260 mm	▭ 250 x 350 mm
	45°	○ 230 mm	□ 165 mm	▭ 110 x 240 mm
	60°	○ 150 mm	□ 90 mm	▭ 90 x 150 mm
	L45°	○ 200 mm	□ 170 mm	▭ 60 x 260 mm
Blade Size	27 x 0.9 x 3160 mm			
Blade Speed	2 Speeds	50HZ 4P 72 m/min 8P 36 m/min		
	Inverter	20 ~ 85 mpm		
Blade Motor	2 HP (1.5 kW)			
Hydraulic / Coolant Motor	1 / 2 HP (0.38 kW) / 50W			
Container Loads	18 units / 20' 36 units / 40'			
Packing Size	1735 x 750 x 1120 mm (DS/DSV)			
	1850 x 750 x 1710 mm (DSA/DSAV)			
N.W./G.W.	360 kg / 410 kg			



ELECTRONIC OPERATION CONTROL PANEL  
With lights for indicating or trouble-shooting problems.

\* The above package sizes are for reference only; actual packing size is based on the actual shipments conditions.



Blade Tension Indicator Gauge



Manual Binding System



Saw Blade

## SAW BLADE SPECIFICATION

WE/WG- 210 series	0.9 × 20 × 2110	5/8T
WE/WG- 260.270.275 series	0.9 × 27 × 2460	5/8T
WG-285 series	0.9 × 27 × 2685	5/8T
WE/WG- 310 series	0.9 × 27 × 2725	5/8T
WE/WG- 350 series	0.9 × 27 × 3160	4/6T
WG- 500 series	1.1 × 34 × 3880	3/4T

\* The blade selection is dependent on size or handness of the material.

# ACCESSORIES



## WE-31T1

### SPECIFICATIONS

Length	2M
Width	300 mm
Height	560 mm
Adjustable Height Range	600-1000 mm
Rollers	8
Scale Type	None
Max. Loading	800 kg
Packing Size	2300 x 380 x 190 mm



## WE-31T2

### SPECIFICATIONS

Length	2M
Width	300 mm
Height	560 mm
Adjustable Height Range	600-1000 mm
Rollers	8
Scale Type	Position Scale
Max. Loading	800 kg
Packing Size	2300 x 380 x 190 mm



## WE-31T2D

### SPECIFICATIONS

Length	2M
Width	300 mm
Height	560 mm
Adjustable Height Range	600-1000 mm
Rollers	8
Scale Type	Magnetic Scale and Digital Read Out
Max. Loading	800 kg
Packing Size	2300 x 380 x 190 mm

# HORIZONTAL BAND SAW



## WE-33T1

### SPECIFICATIONS

Length	3M
Width	300 mm
Height	560 mm
Adjustable Height Range	600-1000 mm
Rollers	12
Scale Type	None
Max. Loading	800 kg
Packing Size	3300 x 380 x 190 mm



## WE-33T2

### SPECIFICATIONS

Length	3M
Width	300 mm
Height	560 mm
Adjustable Height Range	600-1000 mm
Rollers	12
Scale Type	Position Scale
Max. Loading	800 kg
Packing Size	3300 x 380 x 190 mm



## WE-33T2D

### SPECIFICATIONS

Length	3M
Width	300 mm
Height	560 mm
Adjustable Height Range	600-1000 mm
Rollers	12
Scale Type	Magnetic Scale and Digital Read Out
Max. Loading	800 kg
Packing Size	3300 x 380 x 190 mm

WG series

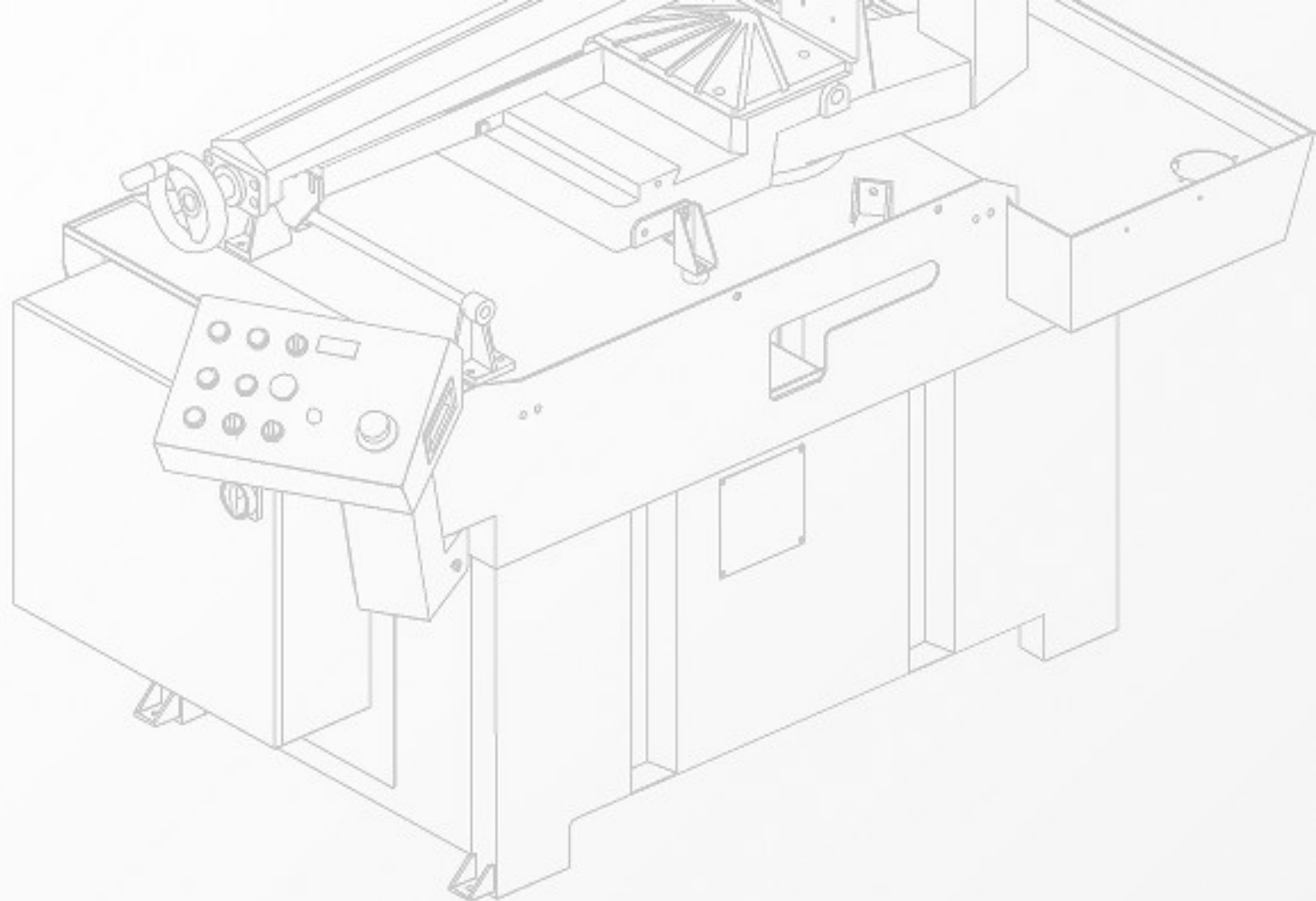
WE series

Accessories

Scan Now



Official website



**WAY SWORD INDUSTRIES CO., LTD.**

NO. 9-26, SHENQING RD., QINGSHUI DIST., TAICHUNG CITY 436, TAIWAN, R.O.C.

TEL: +886-4-2422-3291  
FAX: +886-4-2422-7689

info@waytrain.com  
www.waytrain.com